



Creative District Bike Racks – Call for Entries

Submission Deadline: Friday, April 4, 2014 no later than 3pm

Provide Submittals to:

Attention: Michael Varnum
Salida Creative District
220 W. Sackett
Salida, CO 81201
(719) 530-0933

Applicant: _____

Street Address: _____

City: _____ Zip: _____

County: _____

Mailing Address (if different): _____

City: _____ Zip: _____

Phone Number: _____ day _____ evening _____

Fax: _____ Email: _____

Website: _____

Check List

1. ___ Completed Application Form
2. ___ 3 sets of color prints of previous examples of work
3. ___ Illustration of proposed Bike Rack
4. ___ Budget not to exceed \$1,000 per Bike Rack
5. ___ 3 references of previous clients
6. ___ Project delivery date

Background

Salida is recognized as a state leader in the arts and is a Colorado Certified Creative District. This is greatly due to a municipality committed to emphasizing an existing historic downtown as a center of commerce, and to a strong contingent of creative enterprises reusing this existing built environment to live, work and conduct business. Salida's unique growth during the recent economic downturn is due to a community comprised of numerous arts, cultural and non-profit organizations, and a city government that has worked with the neighborhood to transform the downtown into a focal point for attracting visitors and celebrating and strengthening the town's unique identity.

Project Description

The City of Salida is looking for an artist/artists, contractors, architects, or designers to design and construct a total of 4 bikes racks for the Creative District. The City is partnering with LiveWell Chaffee County on the funding of these bike racks. The City will install the bike racks at four locations within the Creative District. A key goal of the City of Salida is to have the pieces be congruent to the use of the site and surrounding area. The timeline for project delivery to the City of Salida is May 9, 2014, or within four (4) weeks of project award, whichever is later. Applicants are encouraged to visit the sites and make a connection to our creativity, history, people and place.

The bike racks are to be located at four locations in the Creative District. Each site is unique and site visits are encouraged.

The bike racks will be installed by the City of Salida.

Who can submit proposals?

The project is open to Chaffee, Saguache, Lake, and Fremont County artists, contractors, architects, or designers. Up to four unique designs will be selected. The City of Salida has budgeted \$1,000 for each piece selected. If no proposal is determined to be appropriate, the City of Salida may decide to reopen the selection process to a wider area.

Award Criteria

The City of Salida will award the bid for the products and services that will serve the City's best interest; therefore, the following criteria will be used when evaluating bids:

1. Meets or exceeds specifications for design, aesthetics and functionality.
2. Conveys to the public that they are in the Salida Creative District.
3. Is a design that compliments and enhances the aesthetics and environment of the district.

4. Bike Rack construction design is approved by the City engineer.
5. Is within the \$1,000 budget allocated for each bike rack.

Bid Submittal Requirements

1. Applicants shall provide a PDF of each creative bike design and three (3) 8 1/2 "x 11" copies with the bid submittal.
2. Since each site location is unique, each submittal shall be designed for the specific site and shall identify the location for the proposed bike rack on the required submittal. Up to four designs may be submitted by any one applicant.
3. Each design shall incorporate the LiveWell Chaffee County logo and the Creative District logo. Logos must be a minimum of 3"x3".
4. Identify all services, which are expected to be provided by the City of Salida.
5. **A mandatory pre-bid meeting with be held on Thursday, March 20, 2014 at 2:00 p.m. at the SteamPlant Event Center.**

For additional information prior to the bid submittal deadline or for additional information regarding this Call for Entries contact: Michael Varnum at michael@salidasteamplant.com.

General Conditions

Reserved Rights: The City of Salida reserves the right to:

- Modify or cancel the selection process or schedule at any time;
- Waive minor irregularities;
- Reject any and/or all responses to this CALL FOR ENTRIES and seek new proposals when it is in the best interest of the City to do so;
- Seek clarification or additional information from respondents as it deems necessary to the evaluation of the response;
- Incorporate this CALL FOR ENTRIES and the selected team's response to this CALL FOR ENTRIES as part of any formal agreement between the City and the respondent;
- Negotiate modifications to the CALL FOR ENTRIES with the selected respondent as part of the negotiation process.
- Modify the CALL FOR ENTRIES opportunity available to applicants.
- Bids shall be submitted with on the form furnished. Any exceptions to the specifications must be attached hereto and made a part of the contract. Retain one copy for your records.
- Successful Applicants must complete a W-9 form (Taxpayer Identification No.).
- The City of Salida is exempt from all local, state and federal taxes.
- The City of Salida reserves the right to reject any and all quotes and to waive informalities and minor irregularities in quotes received and to accept any portion of the quote if deemed in the best interest of the City of Salida.

Hold Harmless: By participation in this CALL FOR ENTRIES process, applicants agree to hold harmless the City of Salida, its officers and employees from all claims, liabilities and costs related to all aspects of the selection process.

Public Information: All documents, conversations, correspondence, etc. between the City and respondents are public information subject to the laws and regulations that govern the City of Salida, unless specifically identified otherwise.

Expenses: All expenses related to any applicant's response to this CALL FOR ENTRIES, or other expenses incurred while the selection process is underway, are the sole obligation and responsibility of the applicant.

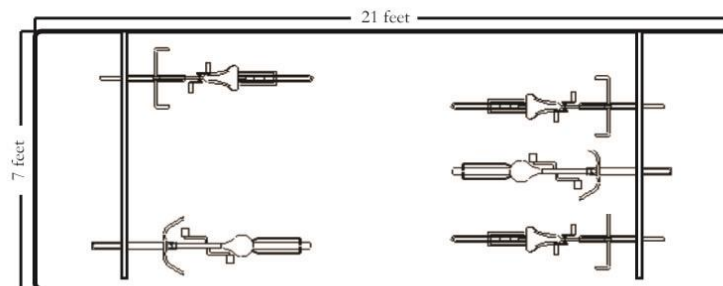
Locations

Each location has unique characteristics that shall be taken into account with the proposed design. The bike rack design shall fit within the parameters of the selected site. Potential bidders must attend a mandatory pre-bid meeting prior to the submittal of proposals.

N. F Street

The bike rack in this location will need to incorporate the crown of the road in the design. Also the new bike rack must allow for drainage along the curb. This bike rack must hold a minimum of 6 bikes and bikes may not stick out into the lane of travel or outside of the 21' parameter shown below. The City will install the bike rack in this location on the existing asphalt. Applicants must submit how the bike rack will be secured to the asphalt with their proposal.

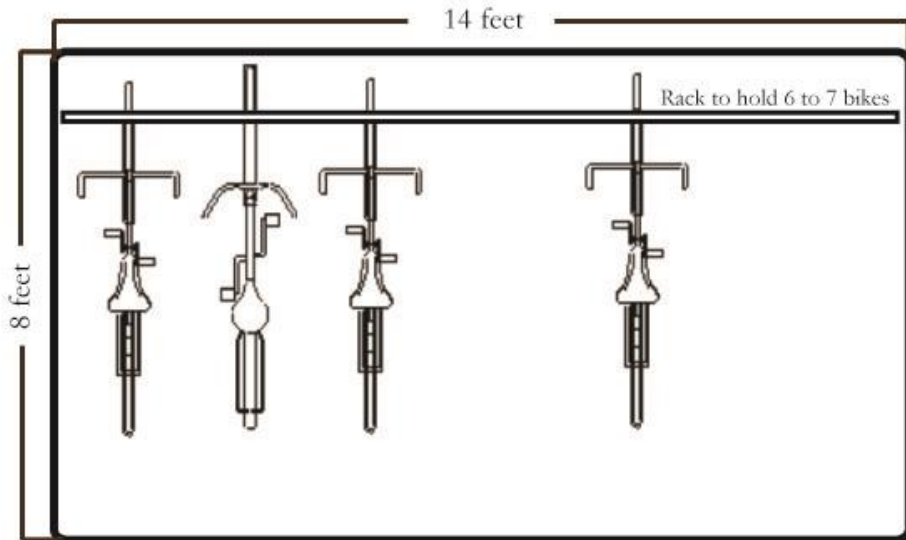
North F Street Bike Rack



Alpine Park

The bike rack in this location will sit on a new concrete pad poured by the City. Applicants must submit how the bike rack will be secured to the concrete. This rack must hold between 6-7 bikes.

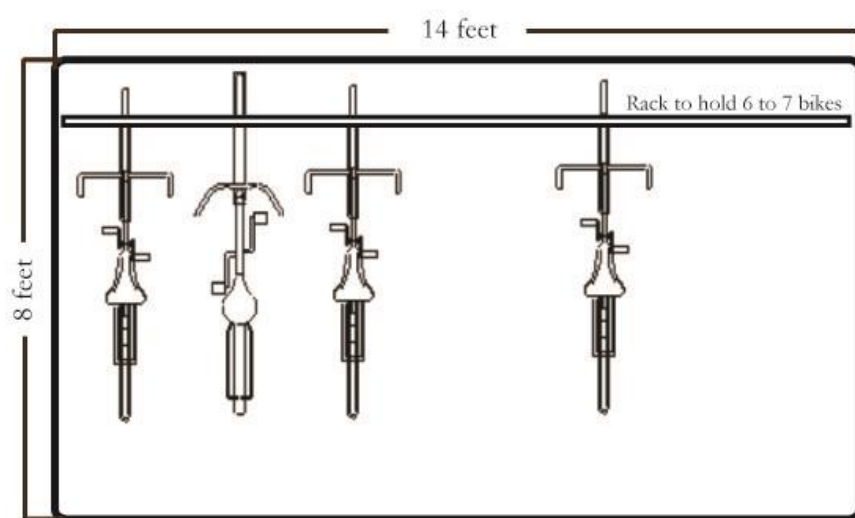
Alpine Park Bike Rack



Riverside Park

The bike rack in this location will sit on a new concrete pad poured by the City. Applicants must submit how the bike rack will be secured to the concrete. This rack must hold between 6-7 bikes.

Riverside Park Bike Rack



Sackett Street

The bike rack in this location will need to incorporate the crown of the road in the design. Also the new bike rack must allow for drainage along the curb. This bike rack must hold a minimum of 6 bikes and bikes may not stick out into the lane of travel or outside of the 21' parameter shown below. The City will install the bike rack in this location on the existing asphalt. Applicants must submit how the bike rack will be secured to the asphalt with their proposal.

Sackett Street Bike Rack

